

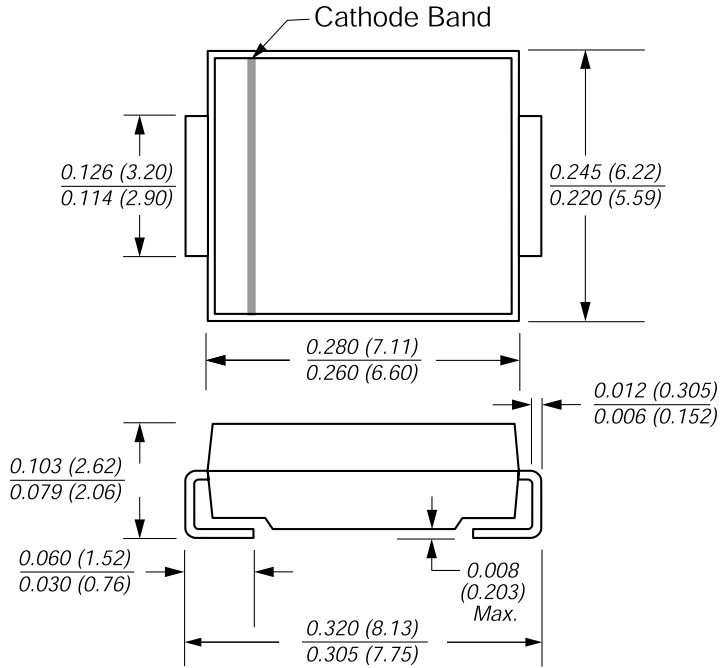


Case Outline & Mounting Pad Layout

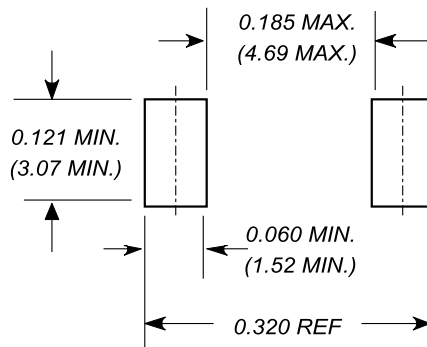
Crownpo Technology



Thin SMC



Mounting Pad Layout



Dimensions in inches and (millimeters)