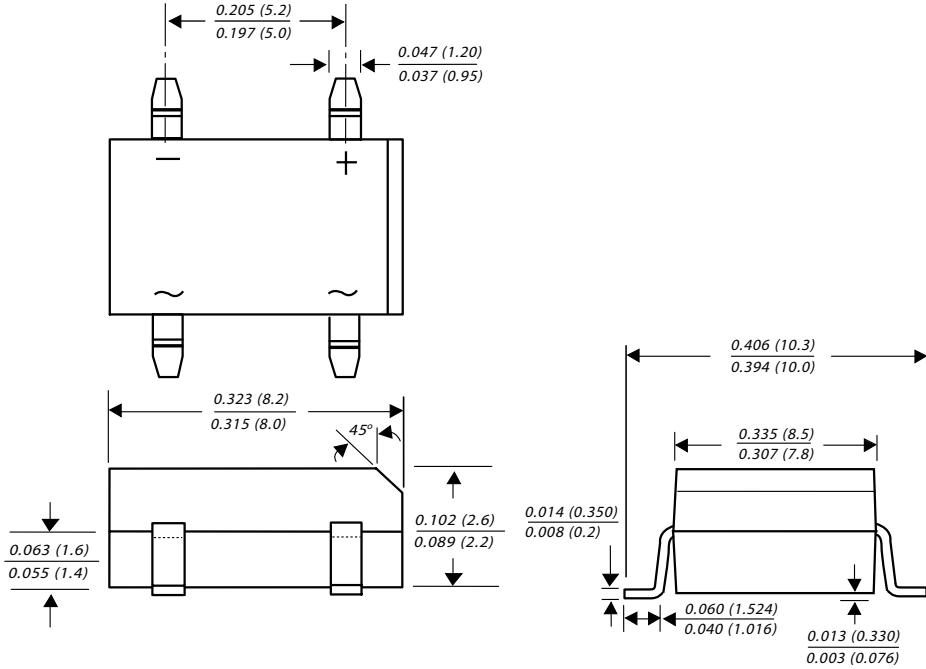




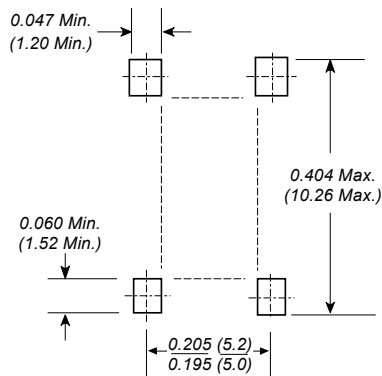
# Case Outline & Mounting Pad Layout

Crownpo Technology

## DFLS



## Mounting Pad Layout



Dimensions in inches and (millimeters)